

# Autodesk® Inventor LT™ Technology Preview 2009

## Improve communication with suppliers and customers.

### Facing these issues?

- Sharing and editing 2D and 3D data with key customers and suppliers is difficult, time-consuming, and costly.
- Updating and creating production-ready drawings is costing your company valuable time.
- Losing 2D AutoCAD® software expertise and design data is a concern when adding 3D.
- Design errors are leading to rework and scrap that is costing you time and money.
- Design cycle time needs to be reduced.
- You need more design power for complex part design.
- Photorealistic renderings are necessary to create compelling materials that win business.

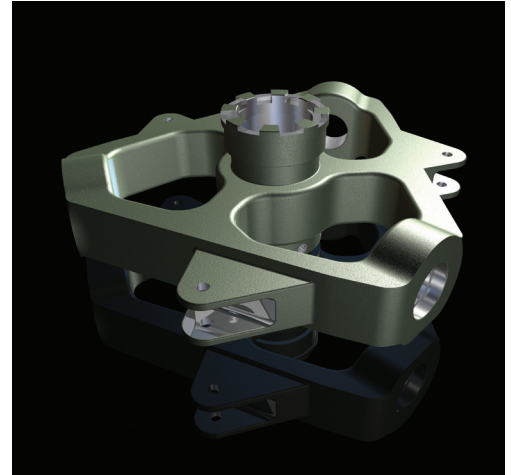
Discover how Inventor LT puts powerful 3D part design tools within your reach.

### Create, Edit, and Share 3D Parts

Inventor LT software helps you get your job done faster by delivering the power of 3D part design, genuine DWG™ TrueConnect interoperability, and a wide range of 3D multi-CAD translation capabilities.

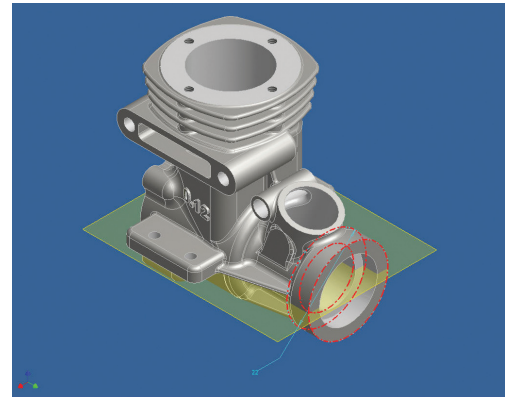
Reduce the hassles of working in a multi-CAD environment by easily creating, sharing, and editing 3D part designs with the Autodesk® Inventor LT™ Technology Preview 2009.

Create designs with confidence, knowing that Inventor LT data is fully compatible with the Autodesk® Inventor™ family of products, the best-selling 3D mechanical design software.



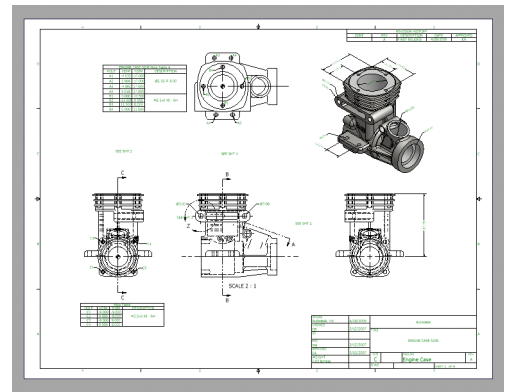
### 3D Part Modeling

Use the 3D solid modeling capabilities in Inventor LT to model your part designs instead of drawing them. With Inventor LT, you can create parametric relationships among key features and variables to easily make changes at any point in the design process. Use 3D models to visualize and validate design concepts and decisions earlier in the process so you can be sure your design will work—before spending money on tooling and manufacturing.



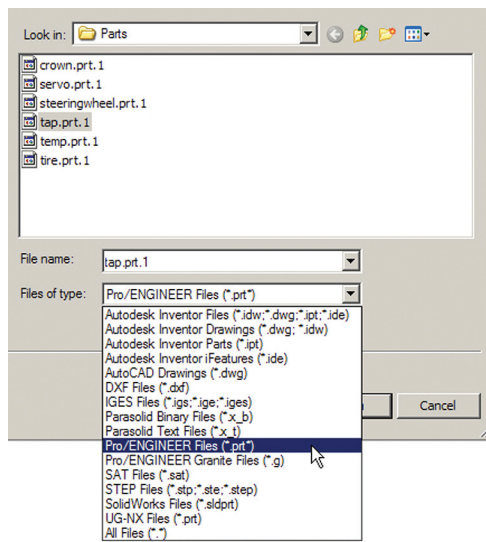
### Automated Drawings

Dramatically reduce the time required to deliver accurate, standards-compliant drawings. The Drawing Manager in Inventor LT enables you to create production-ready DWG drawings that are fully associative back to the 3D model, so drawings generated in Inventor LT automatically update whenever the 3D design changes.



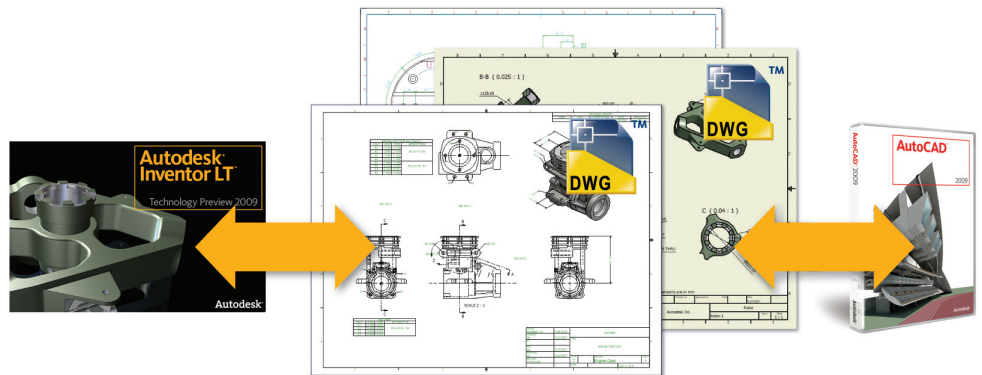
## Multi-CAD Collaboration

Make the exchange of design data between common CAD file formats more efficient and accurate. With Inventor LT you can quickly import, export, create, and modify 3D part models in many common file formats so you can improve communication with customers, suppliers, and internal partners, and work with data from virtually anyone without needing expensive translation tools or services.



## DWG Interoperability

Rapidly access existing 2D design information and save Inventor LT drawings as native DWG files to easily share designs with stakeholders who rely on AutoCAD-based products and DWG files. Inventor LT software delivers industry-leading integration of 2D and 3D design with innovative DWG TrueConnect technology to provide direct read and write of DWG files with full associativity to the 3D model.



## Autodesk Inventor Studio

Improve communication with customers and other decision makers by creating high-quality photorealistic renderings and animations of your designs—before they are built. Autodesk® Inventor™ Studio provides state-of-the-art rendering and animation tools within the Inventor LT design environment, giving designers direct access to this specialized functionality.



Autodesk Inventor LT software is a focused subset of Inventor technology, providing the same 3D part modeling, import/export, documentation, and rendering features as the Autodesk Inventor software product. Key capabilities available in the Inventor product family that are not available in Inventor LT include, but are not limited to, 3D assembly modeling, specialty design and simulation tools, AutoCAD® Mechanical, and Autodesk® Vault.

Autodesk® Inventor™ software is the foundation for Digital Prototyping, and is changing the way CAD users think about their design process. Learn more about the differences between Inventor and Inventor LT at [www.autodesk.com/inventorlt](http://www.autodesk.com/inventorlt).

## Free Download

For a limited time only, download and try Inventor LT Technology Preview 2009 for free\* on Autodesk Labs at [www.autodesk.com/inventorlt](http://www.autodesk.com/inventorlt).

\*Free products are subject to the terms and conditions of the end-user license agreement that accompanies download of the software.